

STRYKER RIB LX 270

The Stryker RIB LX 270 has a double aluminum hull with flat deck. Bow locker and EVA flooring are standard features on these beautiful boats.

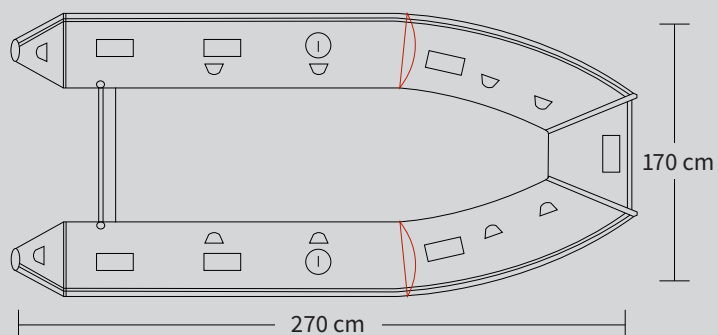
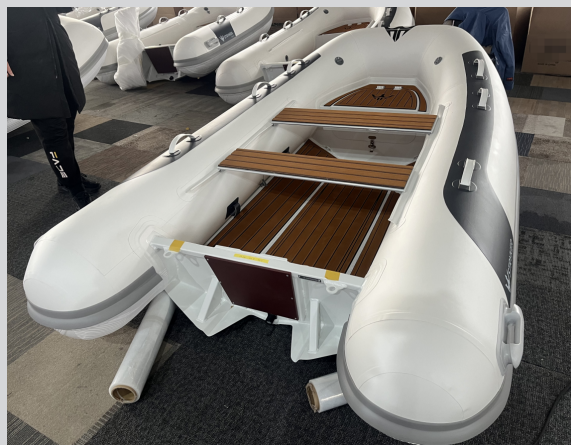
SPECIFICATIONS

SIZE

- Overall Length 270cm or 8' 9"
- Inside Length 177cm or 5' 8"
- Overall Width 170cm or 5' 6"
- Inside Width 79cm or 2' 6"
- Weight 62kg or 137 lbs
- Tube Diameter 44cm or 1' 4"
- # of Air Chambers 3
- PVC Thickness 0.9mm

CAPACITY

- Max Load 390kg or 859lbs
- Max # people 3+1
- Max Motor 15 HP
- Max Motor Weigh 60kg or 132lbs
- Transom Height 15"
- Max Tube Pressure 3.6 psi



FEATURES

- Entirely Thermowelded Seams
- Integrated transom supports
- 2.5mm Aluminum hull
- 0.9mm Heytex PVCtube
- Stryker Shield™ Keel Strake
- Stryker Shield™ Under Tubes
- Oar holders on inner tube
- Anti Over-Inflation Safety Valve
- Reinforced Tube to Transom
- Stern tabs
- Exterior Water Redirecting Strake
- Handle @ Bow
- Tow Rope
- 2 Tow Rings on aluminum hull
- Bow locker (Fit 24L fuel tank)
- Removable seat with EVA
- Drain Valve
- Carry Handles
- Slider seat design
- Engine Mounting Plate
- Gas Tank Belt
-

INCLUDED IN BOX

- 2 x Aluminum Bench Seat
- Aluminum Oars
- Foot Pump
- Repair Kit
- Attachable Fabric Oar Holders
-
-
-
-
-
-

