

# STRYKER RIB LUX 330

The Stryker RIB LUX 330 is a luxury light weight deluxe tender with integrated rear seat, console, bow locker & EVA details.

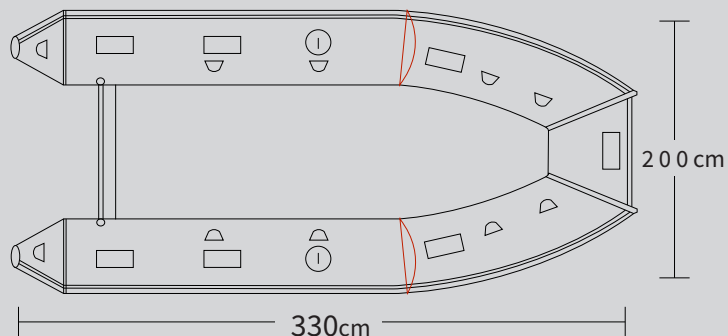
## SPECIFICATIONS

### SIZE

- Overall Length 330cm or 10' 8"
- Inside Length 190cm or 6' 2"
- Overall Width 200cm or 6' 6"
- Inside Width 90cm or 3'
- Weight 175kg or 386lbs
- Tube Diameter 50cm or 2' 6"
- # of Air Chambers 3
- PVC Thickness 0.9mm

### CAPACITY

- Max Load 551kg or 1215lbs
- Max # people 4
- Max Motor 30HP
- Max Motor Weight 120kg or 264 lbs
- Transom Height 20"
- Max Tube Pressure 3.6 psi





## FEATURES

- Entirely Thermowelded Seams
- Integrated Transom Supports
- 3mm Aluminum Hull
- 0.9mm Heytex PVC Tube
- Stryker Shield™ Keel Strake
- Stryker Shield™ Under Tubes
- Side Steps w/ EVA
- Anti Over-Inflation Safety Valve
- Reinforced Tube to Transom
- Bow step with lights and anchor bolt
- Exterior Water Redirecting Strake
- Handle @ Bow
- Tow Rope
- 2 Tow Rings on Aluminum Hull
- Bow locker (Fit 24L fuel tank)
- One Way Scuppers
- Threaded Drain Plug
- Carry Handles
- Fiberglass console with side seat
- Engine Mounting Plate
- 
- 

### INCLUDED IN BOX

- Fiberglass console with side seat
- Electrical pack for boat & console --
- including bilge pump & port/starboard lights on bow
- boarding step, multifunction panel switches, power
- master switch,;
- Aluminum Oars
- Foot Pump
- Repair Kit
- 
- 
-