

STRYKER HD 470

The Stryker HD 470 inflatable boat comes with extra durable 1.8mm German PVC under the boat as well as around the seating area.

HD 470 is one our most popular sizes at over 15' in length it has plenty of room for passengers & gear. It is available in Storm Grey or Blacked out.

Included with each boat are 7 factory installed Scotty® mount pads, bimini canopy, 2 Scotty® rod holders & essentials bag.

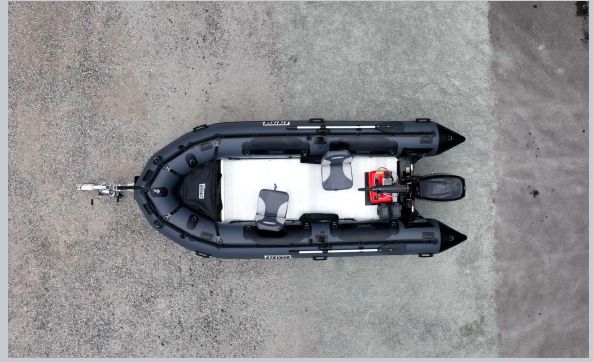
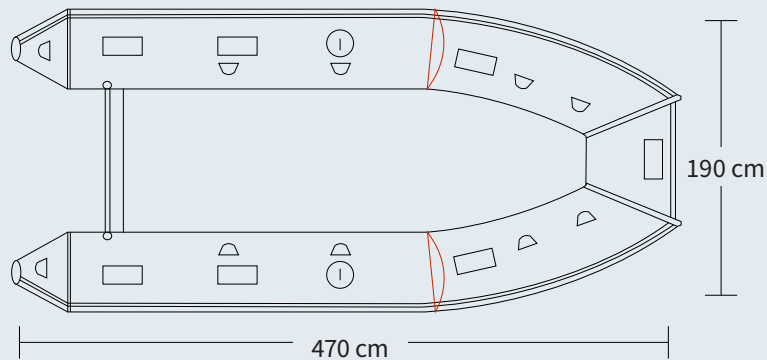
SPECIFICATIONS

SIZE

- | | |
|---------------------|-----------------|
| ○ Overall Length | 470cm or 15' 4" |
| ○ Inside Length | 320cm or 10' 5" |
| ○ Overall Width | 190cm or 6' 2" |
| ○ Inside Width | 90cm or 2' 10" |
| ○ Weight | 287 lbs |
| ○ Tube Diameter | 50cm or 1' 8" |
| ○ # of Air Chambers | 6 |
| ○ PVC Thickness | 1.8mm & .9mm |

CAPACITY

- | | |
|---------------------|-------------------|
| ○ Max Load | 1360kg or 2998lbs |
| ○ Max # people | 10 |
| ○ Max Motor | 40 HP |
| ○ Max Motor Weight | 119kg or 262 lbs |
| ○ Transom Height | 20" |
| ○ Max Tube Pressure | 3.6 psi |





FEATURES

- Entirely Thermowelded Seams
- Aluminum Transom
- 1.8mm Underbelly
- 1.8mm Protective Seat Patches
- Stryker Shield™ Keel Strake
- Stryker Shield™ Under Tubes
- 7 x Scotty Mount Pads
- Anti Over-Inflation Safety Valve
- Reinforced Tube to Transom
- Complete Peripheral Life Line
- Exterior Water Redirecting Strake
- D Handle @ Bow w/ Tow Rope
- D Rings Installed
- 2 Tow Rings
- Oar Locks
- Oar Holders
- One Way Drain Valve
- 6 Carry Handles
- 10 Interior D Rings
- Aluminum Engine Mounting Plate
- Gas Tank Pad & Belt
- Bow & Sunshade Bimini Mounts Installed

INCLUDED IN BOX

- 2 x Aluminum Bench Seat
- 2 x Scotty Baitcaster Rod Holders
- Bimini
- Bow Bag
- Seat Bag
- Aluminum Oars
- Boat Bag
- Floor Bag
- Essentials Bag
- Foot Pump
- Repair Kit



1.844.322.BOAT (2628) • STRYKERBOATS.COM