

STRYKER PRO 380

The Stryker PRO 380 inflatable boat comes with the added protection of 1.8mm wrapped with our Stryker Shield® under the entire bottom of the boat. There is no other comparable boat on the market today. We add a 20" transom for the ability to add a JET outboard for extreme shallow water use. Please note: this model requires a 20" prop motor. This is the perfect inflatable boat for 4 adventure seekers paired with a 20HP long shaft outboard or a 25HP JET.

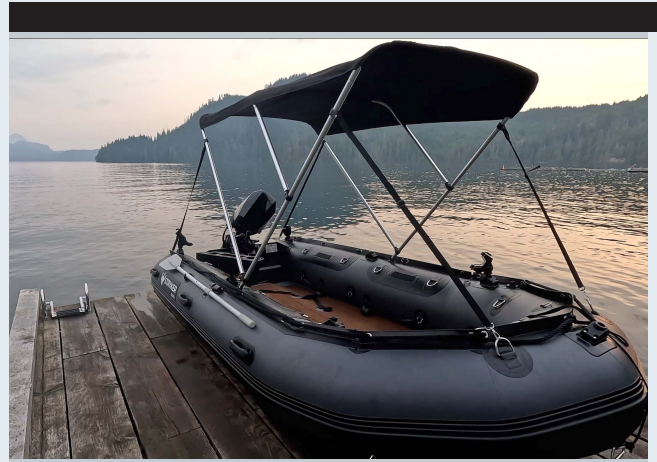
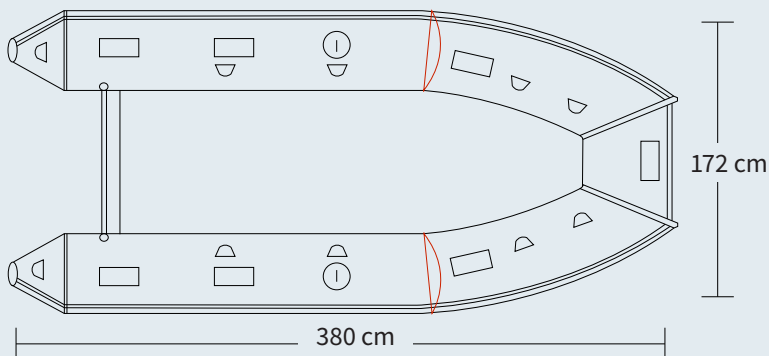
SPECIFICATIONS

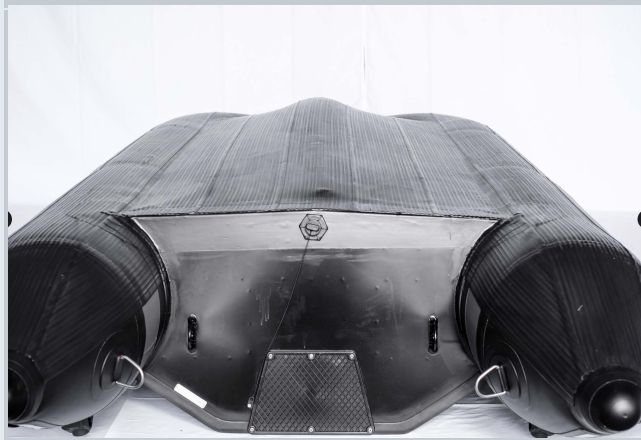
SIZE

- Overall Length 380cm or 12' 5"
- Inside Length 260cm or 8' 5"
- Overall Width 172cm or 5' 6"
- Inside Width 80cm or 2' 6"
- Weight 241 lbs
- Tube Diameter 46cm or 1' 5"
- # of Air Chambers 6
- PVC Thickness 1.8mm & .9mm

CAPACITY

- Max Load 1025kg or 2259lbs
- Max # people 8
- Max Motor 30 HP
- Max Motor Weight 119kg or 262 lbs
- Transom Height 20"
- Max Tube Pressure 3.6 psi





FEATURES

- Entirely Thermowelded Seams
- Aluminum Transom
- 1.8mm Underbelly
- 1.8mm Protective Seat Patches
- Stryker Shield™ Keel Strake
- Stryker Shield™ Under Tubes
- 7 x Scotty Mount Pads
- Anti Over-Inflation Safety Valve
- Reinforced Tube to Transom
- Complete Peripheral Life Line
- Exterior Water Redirecting Strake
- D Handle @ Bow w/ Tow Rope
- D Rings Installed
- 2 Tow Rings
- Oar Locks
- Oar Holders
- One Way Drain Valve
- 6 Carry Handles
- 10 Interior D Rings
- Aluminum Engine Mounting Plate
- Gas Tank Pad & Belt
- Bow & Sunshade Bimini Mounts Installed

INCLUDED IN BOX

- 2 x Aluminum Bench Seat
- 2 x Scotty Baitcaster Rod Holders
- Bimini
- Bow Bag
- Seat Bag
- Aluminum Oars
- Boat Bag
- Floor Bag
- Essentials Bag
- Foot Pump
- Repair Kit