

STRYKER LX 270

The Stryker LX 270 was introduced in 2019 by popular demand. This boat offers 16" tubes like the Stryker LX 320, but in the size that is still suitable as a yacht tender for most customers. The ability to pair this inflatable boat with a 9.9hp outboard is a key feature.

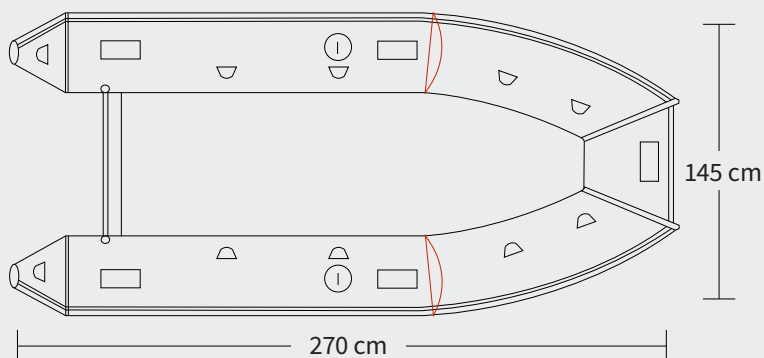
SPECIFICATIONS

SIZE

○ Overall Length	270cm or 8' 9"
○ Inside Length	155cm or 5' 1"
○ Overall Width	145cm or 4' 7"
○ Inside Width	64cm or 2' 1"
○ Weight	Air Floor- 98 lbs, Aluminum Floor 118 lbs
○ Tube Diameter	41 cm or 1' 3"
○ # of Air Chambers	4
○ PVC Thickness	1.2mm & .9mm

CAPACITY

○ Max Load	517kg or 1139lbs
○ Max # people	4
○ Max Motor	10 HP
○ Max Motor Weight	60kg or 132lbs
○ Transom Height	15"
○ Max Tube Pressure	3.6 psi





FEATURES

- Entirely Thermowelded Seams
- Aluminum Transom
- 1.2mm Underbelly
- 1.2mm Protective Seat Patches
- Stryker Shield™ Keel Strake
- Stryker Shield™ Under Tubes
- 5 x Scotty Mount Pads
- Anti Over-Inflation Safety Valve
- Reinforced Tube to Transom
- Complete Peripheral Life Line
- Exterior Water Redirecting Strake
- D Handle @ Bow
- Tow Rope
- 2 Tow Rings
- Oar Locks
- Oar Holders
- One Way Drain Valve
- 4 Carry Handles
- 6 Interior D Rings
- Aluminum Engine Mounting Plate
- Gas Tank Pad & Belt
- Bimini Mounts & D-Rings

INCLUDED IN BOX

- 2 x Aluminum Bench Seat
- Bow Bag
- Seat Bag
- Aluminum Oars
- Under Seat Bag
- Boat Bag
- Floor bag (aluminum floor models only)
- Foot Pump (Hand Pump for Air Mats)
- Repair Kit