

STRYKER HD 420

The Stryker HD 420 comes standard with 1.8mm material underneath the boat as well as the seating area. Every Stryker HD inflatable boat comes standard with 5 air chambers, 7 factory installed Scotty® base mounts and bimini canopy, 2 Scotty® Baitcaster rod holders kits & essential bag and swim ladder. This inflatable boat is available in black or green.

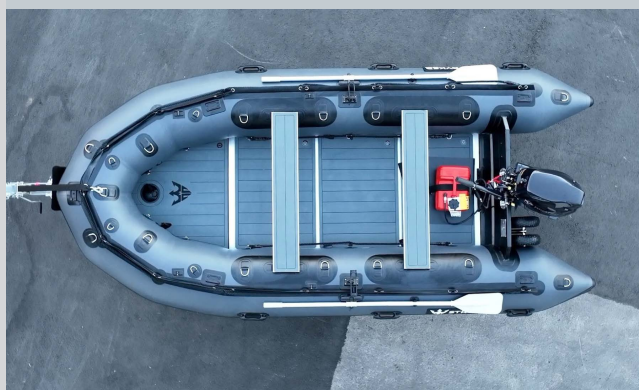
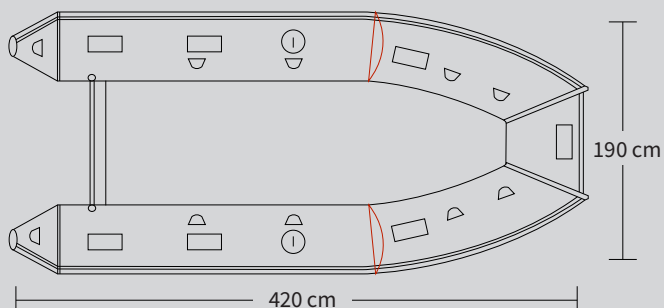
SPECIFICATIONS

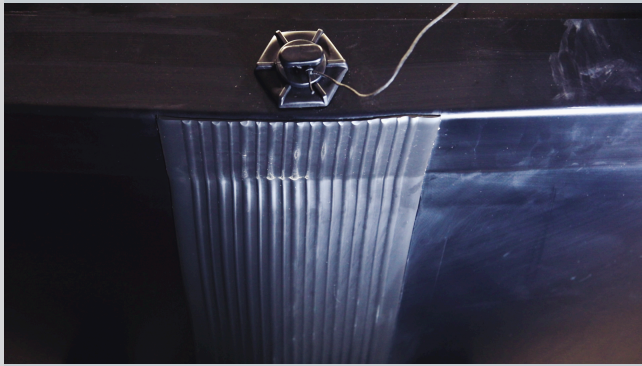
SIZE

- Overall Length 420cm or 13' 7"
- Inside Length 290cm or 9' 5"
- Overall Width 190cm or 6' 2"
- Inside Width 90cm or 2' 10"
- Weight 240 lbs
- Tube Diameter 50cm 1' 6"
- # of Air Chambers 6
- PVC Thickness 1.8mm & .9mm

CAPACITY

- Max Load 1360kg or 2998lbs
- Max # people 10
- Max Motor 40 HP
- Max Motor Weight 119kg or 262 lbs
- Transom Height 15"
- Max Tube Pressure 3.6 psi





FEATURES

- Entirely Thermowelded Seams
- Aluminum Transom
- 1.8mm Underbelly
- 1.8mm Protective Seat Patches
- Stryker Shield™ Keel Strake
- Stryker Shield™ Under Tubes
- 7 x Scotty Mount Pads
- Anti Over-Inflation Safety Valve
- Reinforced Tube to Transom
- Complete Peripheral Life Line
- Exterior Water Redirecting Strake
- D Handle @ Bow w/ Tow Rope
- D Rings Installed
- 2 Tow Rings
- Oar Locks
- Oar Holders
- One Way Drain Valve
- 6 Carry Handles
- 10 Interior D Rings
- Aluminum Engine Mounting Plate
- Gas Tank Pad & Belt
- Bow & Sunshade Bimini Mounts Installed

INCLUDED IN BOX

- 2 x Aluminum Bench Seat
- 2 x Scotty Baitcaster Rod Holders
- Bimini
- Bow Bag
- Seat Bag
- Aluminum Oars
- Boat Bag
- Floor Bag
- Essentials Bag
- Foot Pump
- Repair Kit